

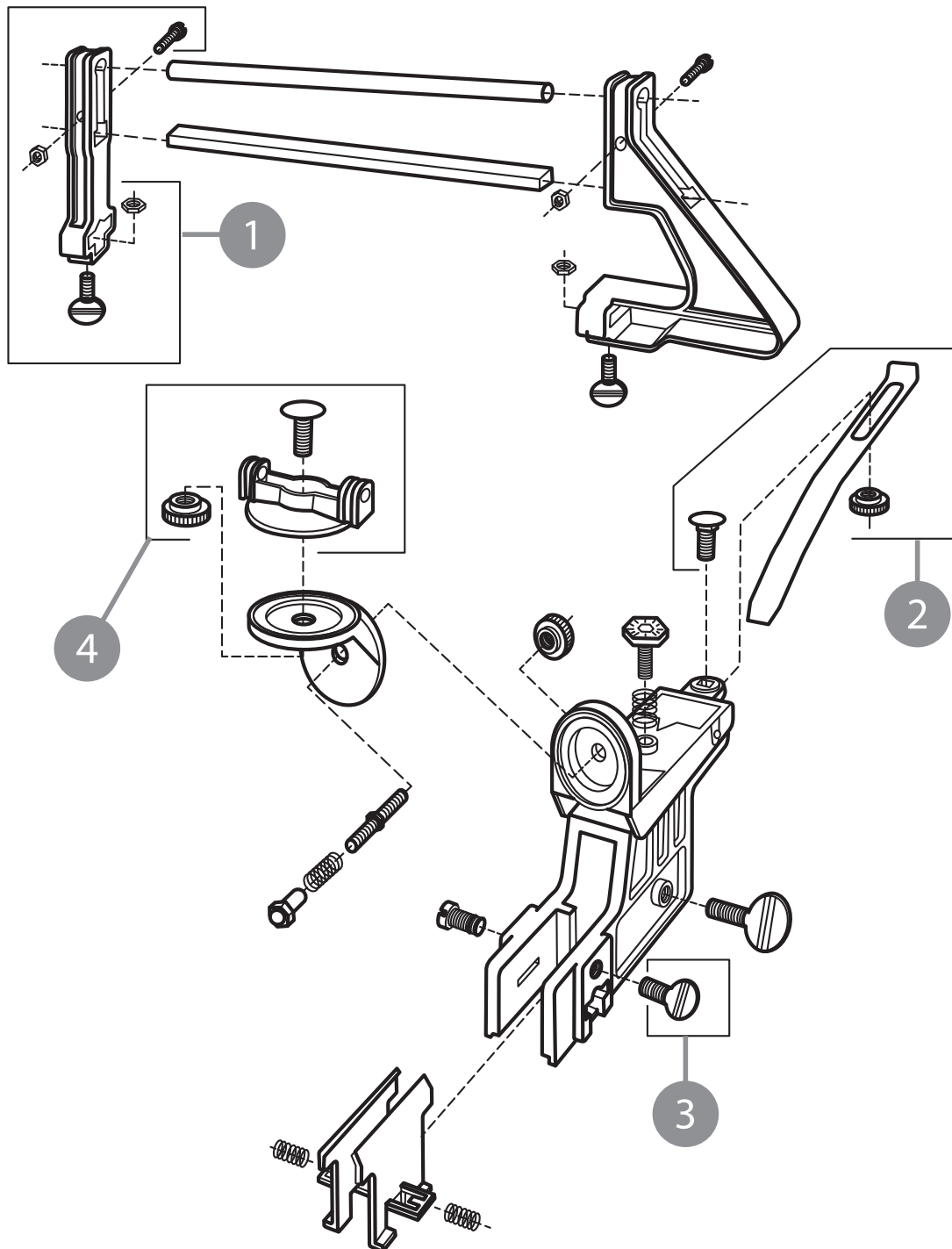


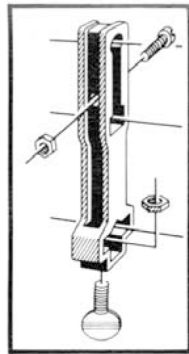
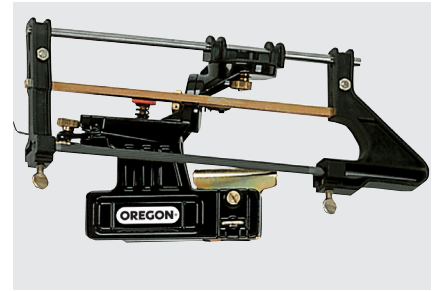
Exploded Views

Forestry Accessories

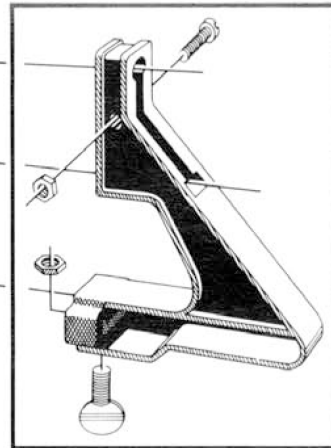
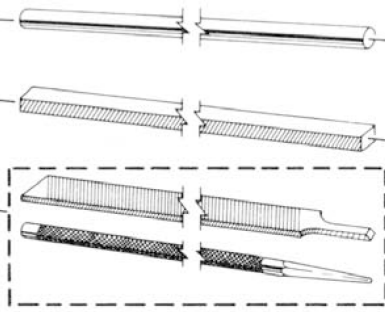


N°	DESCRIPTION	PN
1	ARM KIT	39491
2	STOP-SPRING KIT	39495
3	SMALL THUMB SCREW (5-PACK)	39497
4	SWIVEL KIT	39498

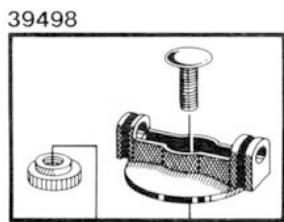




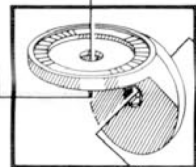
39491



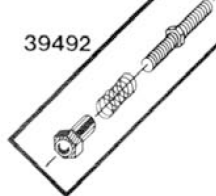
39490



39498



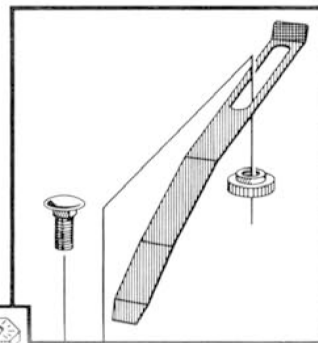
39493



39492

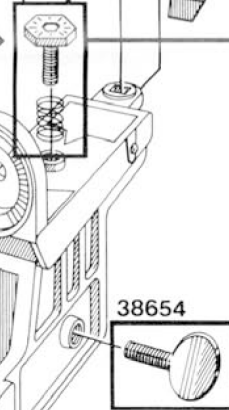


38651

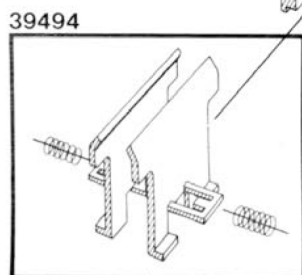


39495

39496



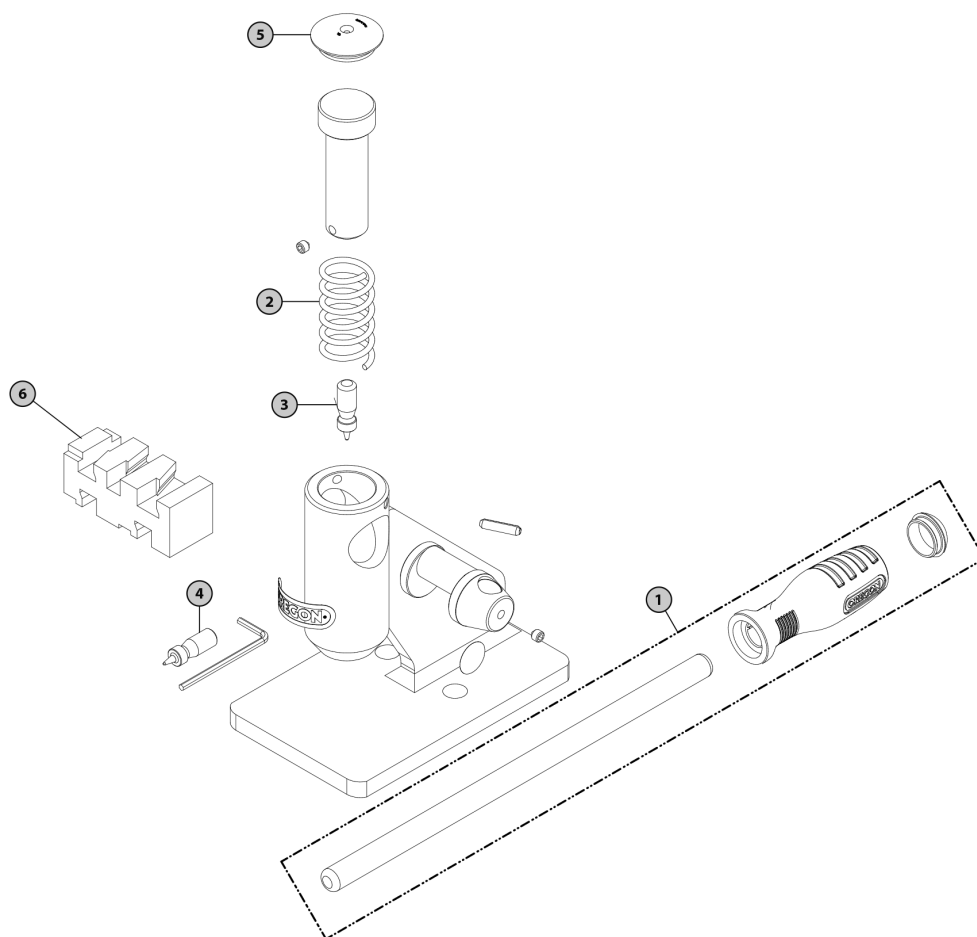
38654



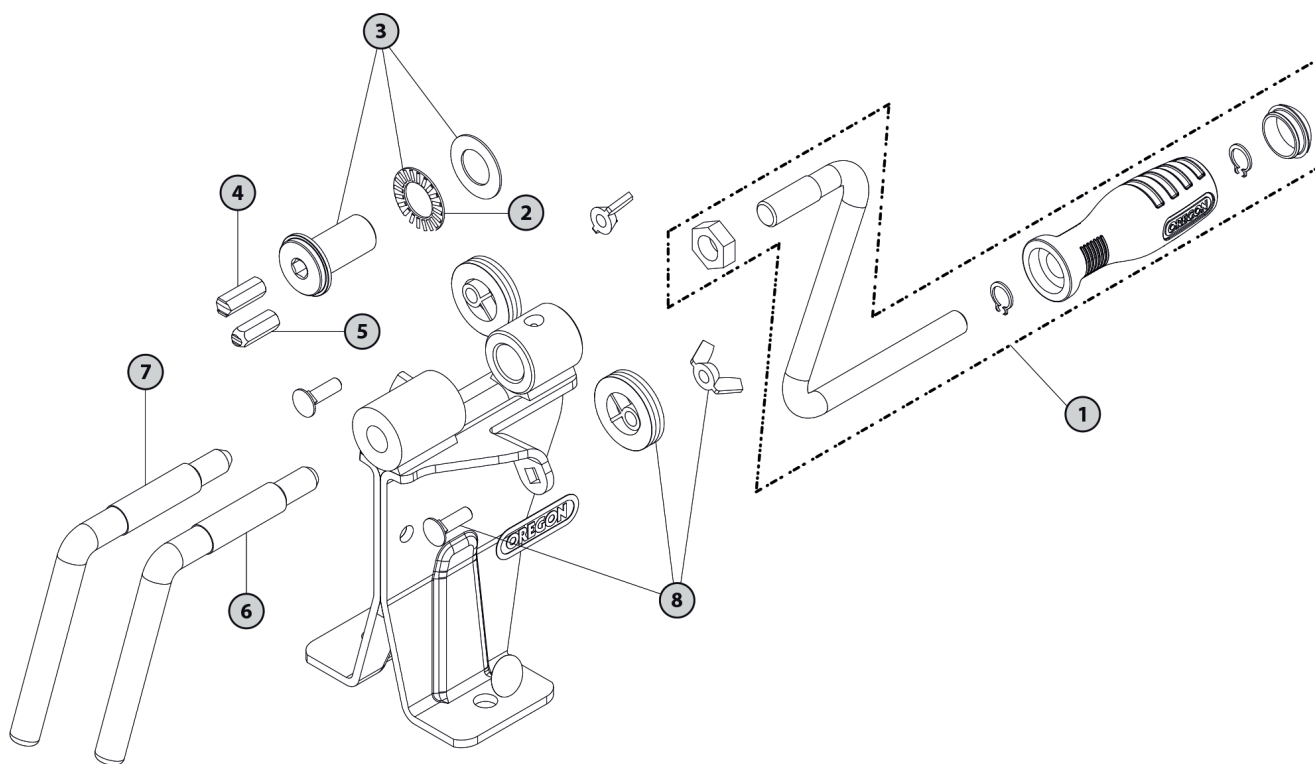
39494

39497

N°	DESCRIPTION	PN	QTY
1	HANDLE ASSEMBLY	572121	1
2	SPRING	38593	1
3	STANDARD PUNCH	38594	1
4	PUNCH .043"	109644	1
5	CAP	38595	1
6	5 SLOTS ANVIL	111939	1

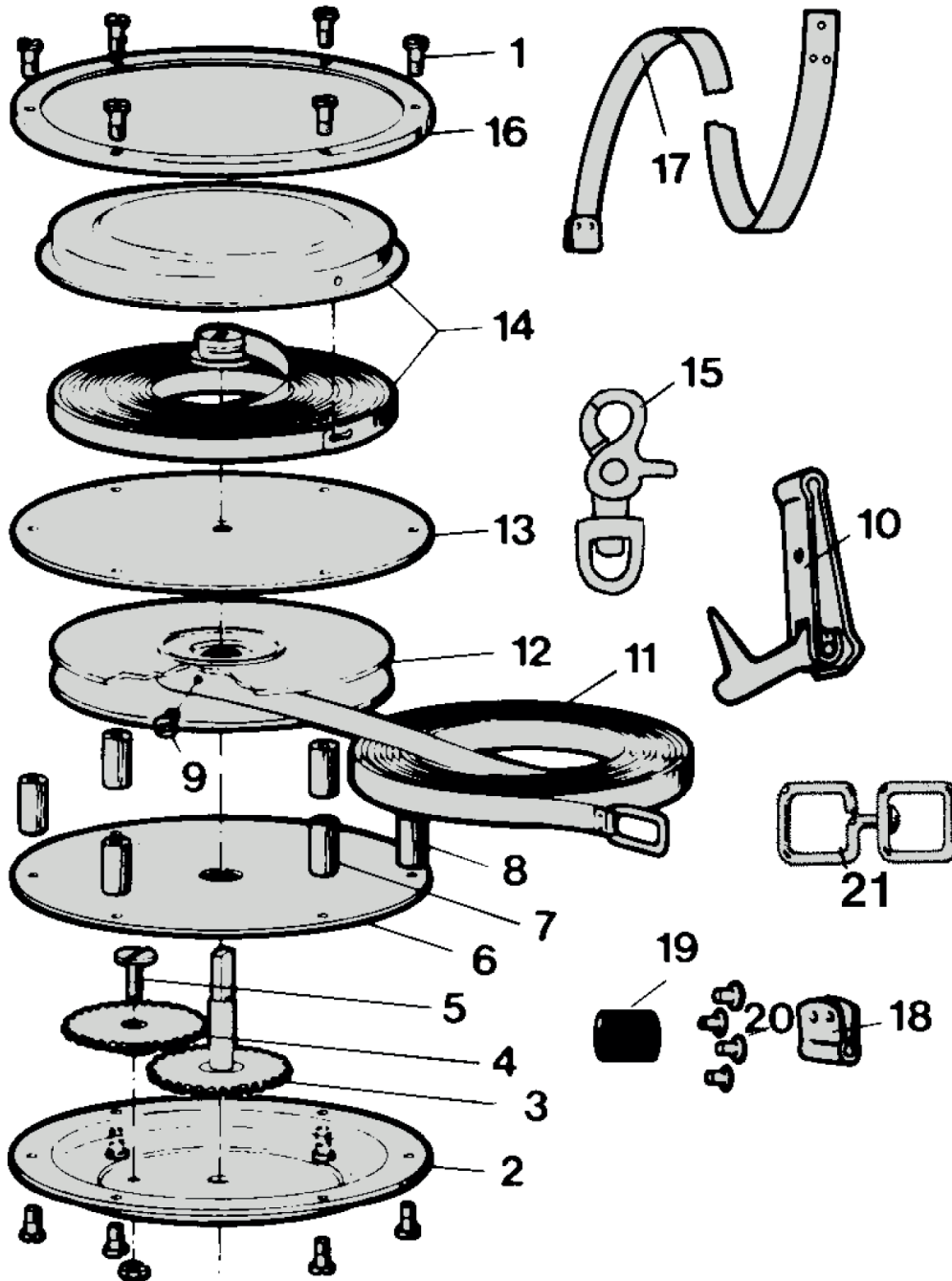


N°	DESCRIPTION	PN	QTY
1	HANDLE ASSEMBLY	572120	1
2	THRUST BEARING	38605	1
3	SLEEVE + BEARING + WASHER	38604	1
4	SPINNER ANVIL (A)	38597	1
5	SPINNER ANVIL (B)	38598	1
6	"A" TAKE-UP HANDLE	38599	1
7	"B" TAKE-UP HANDLE	38600	1
8	CHAIN SUPPORT DISC.+BOLT+NUT	38603	1



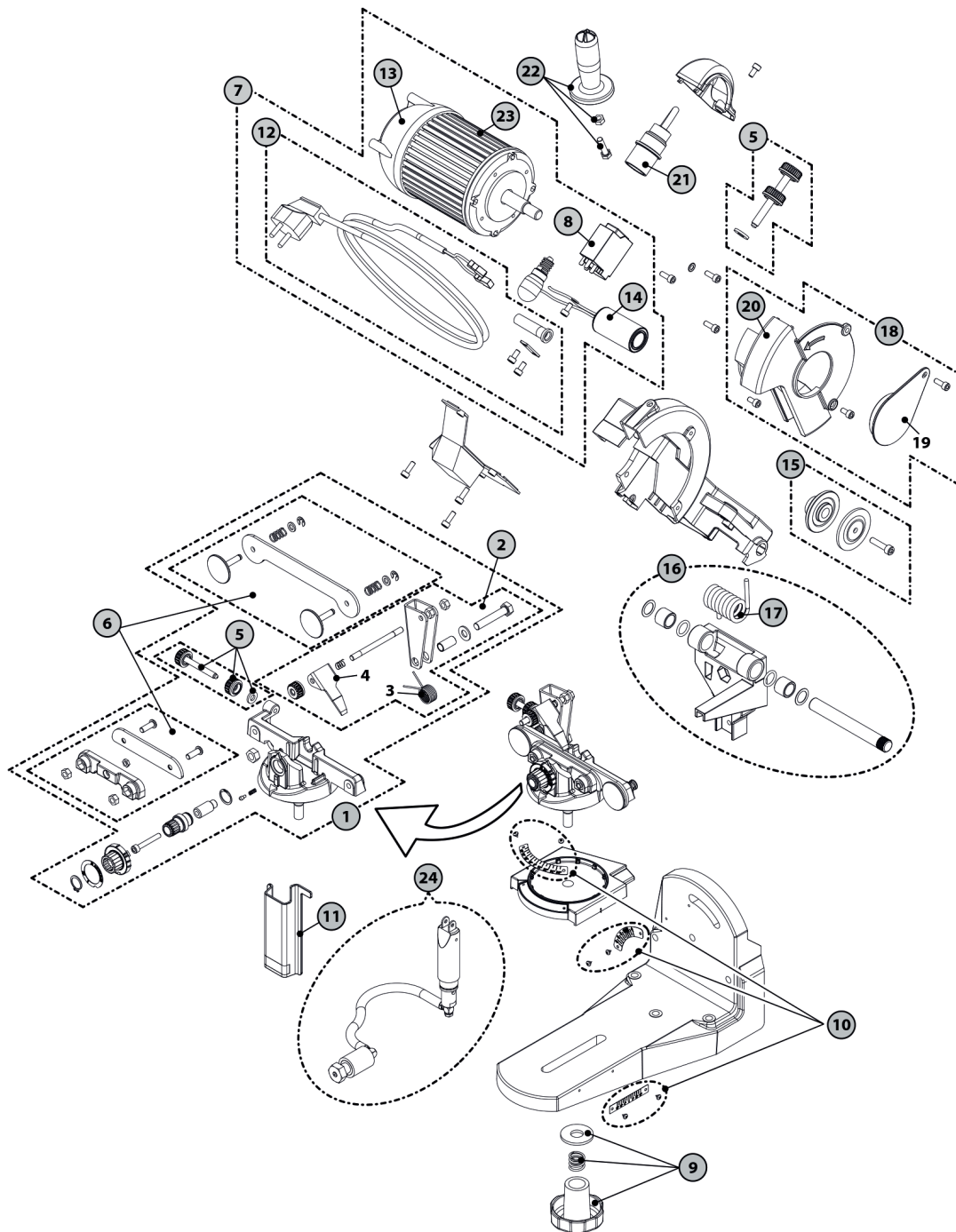
N°	DESCRIPTION	PN 106510 15M	PN 106511 50'/15M	PN 106512 20M	PN 106513 25M
1	POST SCREW	106482	106482	106482	106482
2	GEAR HOUSING WITH BEARING	106473	106473	106473	106474
3	MAIN SHAFT AND GEAR	106477	106477	106477	106477
4	IDLER GEAR AND PINION	106478	106478	106478	106478
5	IDLER BEARING WITH SCREW,NUT	106479	106479	106479	106479
6	GEAR COVER PLATE	106466	106466	106466	106467
7	NYLON GUIDE POST WITH SCREWS	106480	106480	106480	106480
8	SPACER POST WITH 2 SCREWS	106495	106495	106495	106495
9	TAPE REFILL SCREW	106483	106483	106483	106483
10	RELEASE HOOK	106492	106492	106492	106492
11	TAPE REFILL BLADE WITH RELEASE HOOK	106459	106497	106461	106463
12	SPOOL WITH PINION GEAR	106475	106475	106475	106476

N°	DESCRIPTION	PN 106510 15M	PN 106511 50'/15M	PN 106512 20M	PN 106513 25M
13	SPRING COVER PLATE WITH BEARING	106468	106468	106468	106469
14	SPRING ASSEMBLY COMPLETE	106515	106515	106515	106516
15	HANGER AND SWIVEL CLIP	106494	106494	106494	106494
16	LOCKING RING	106464	106464	106464	106465
17	1/2 METRE PLASTIC END	106499	106499	106499	106499
17	1 METRE PLASTIC END	106500	106500	106500	106500
18	HINGE	106484	106484	106484	106484
19	RUBBER STOP	106486	106486	106486	106486
20	EXTRA LONG EYELETS (500-PACK)	106488	106488	106488	106488
NOT ILLUSTRATED:					
	TAPE REPAIR END 19" WITH RELEASE HOOK	106489	106489	106489	106489
	25 METRE BULK LEADER TAPE	106490	106490	106490	106490



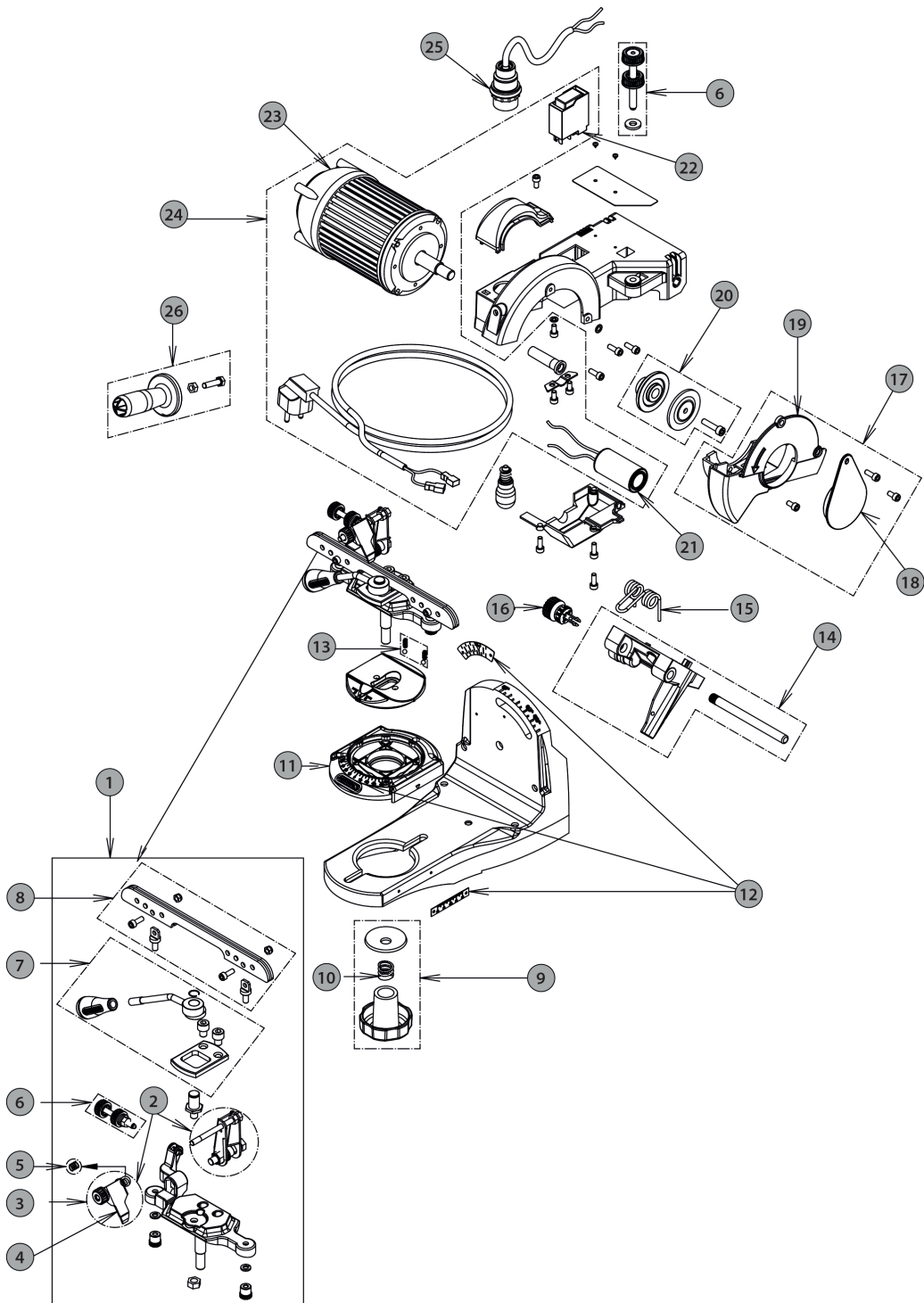
N°	DESCRIPTION	PN
1	WISE SUPPORT	546949
2	WISE ADJUST. SPRING	546945
3	CHAIN STOP SPRING	35606
4	LONGER PAWL	546948
5	ADJUSTMENT KNOBS, KIT	537412
6	COMPLETE VISE KIT	546947
7	COMPLETE ELECTRICAL A.BLY 230V	546962
8	SWITCH 230V	295387A
9	VISE LOCKING KIT	537413
10	SCALES KIT	537410
11	CYLINDER PROTECTION	546952
12	CABLE KIT COMPLETE WITH PLUG - 230V	295389A

N°	DESCRIPTION	PN
13	END MOTOR CAP	37947
14	CAPACITOR 230V	295386A
15	MOTOR FLANGE KIT (OUTER AND INNER)	537409
16	ARM SUPPORT ASSEMBLY	546951
17	HEAD RETURN SPRING	546946
18	SHIELD WHEEL PROTECTOR	554651
19	SHIELD KIT	105654
20	METAL SHIELD	109248
21	LIGHT SOCKET E14 W/WIRES - 230V	108505
22	HANDLE KIT	105538
23	E-MOTOR 230V	295388A
24	COMPLETE HYDRAULIC A.BLY	546950



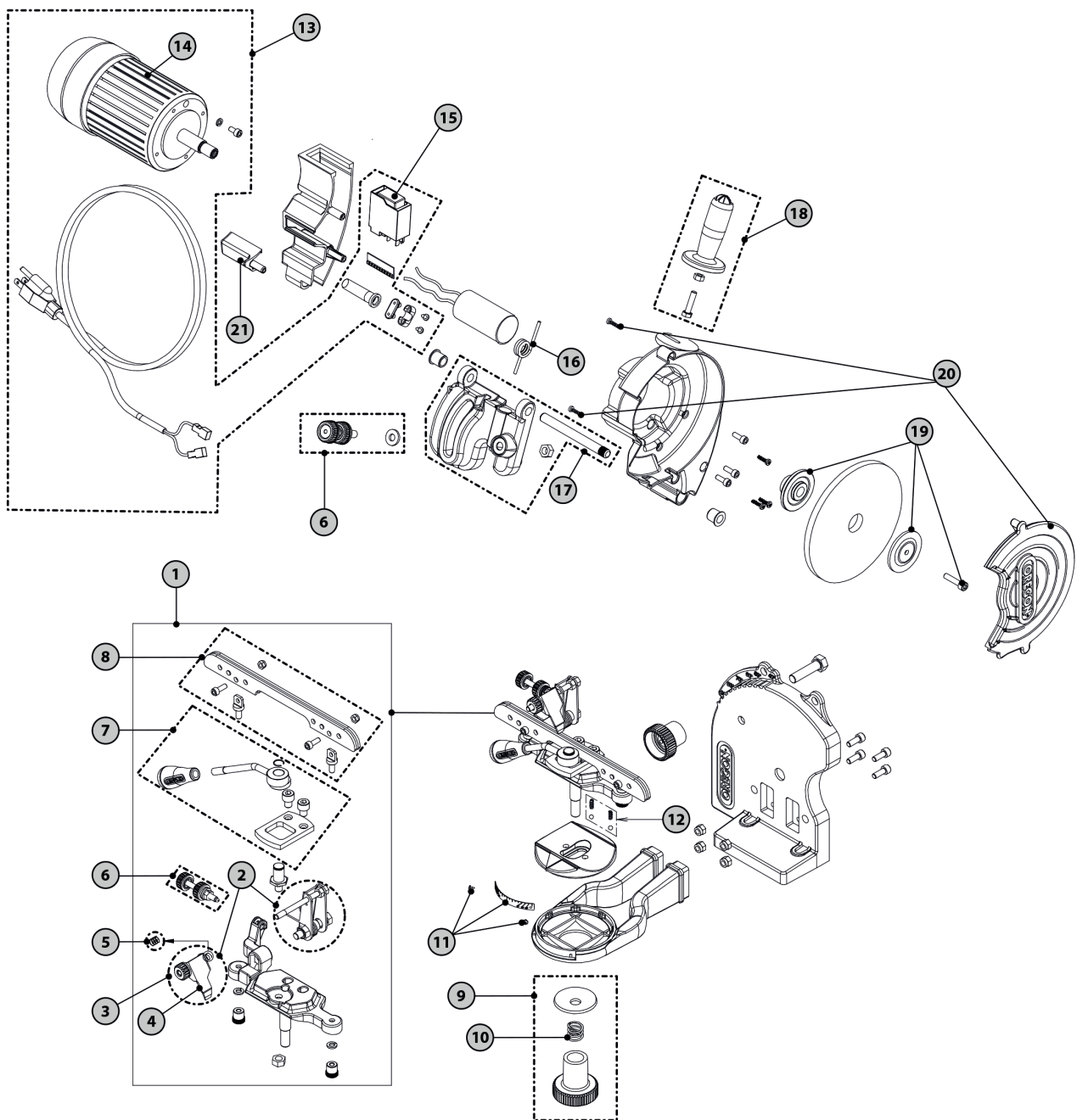
N°	DESCRIPTION	PN
1	COMPLETE VISE ASSEMBLY	572119
2	CHAIN HOLD KIT	537411
3	CHAIN STOP VISE ASSEMBLY	522688
4	CHAIN STOP	32677
5	PAWL CENTER SPRING KIT	32681
6	ADJUSTMENT KNOBS KIT	537412
7	LEVER VISE ASSEMBLY CHAIN LOCKING	572202
8	WISE JAWS	572203
9	WISE LOCKING KIT	537413
10	SPRING	35590
11	SLIDING SUPPORT	522685
12	SCALES KIT	537410
13	SPRING AND BALL KIT	32678

N°	DESCRIPTION	PN
14	BRACKET ARM SUPPORT	522649
15	SPRING ARM RETURN	522651
16	SAFETY PIN	522670
17	SHIELD WHEEL PROTECTOR	554651
18	SHIELD KIT	105654
19	METAL SHIELD	109248
20	MOTOR FLANGE KIT	537409
21	CAPACITOR	295386A
22	SWITCH	295387A
23	END MOTOR CAP	37947
24	COMPLETE ELECTRICAL ASSEMBLY	581054
25	LIGHT SOCKET	108505
26	HANDLE KIT	105538



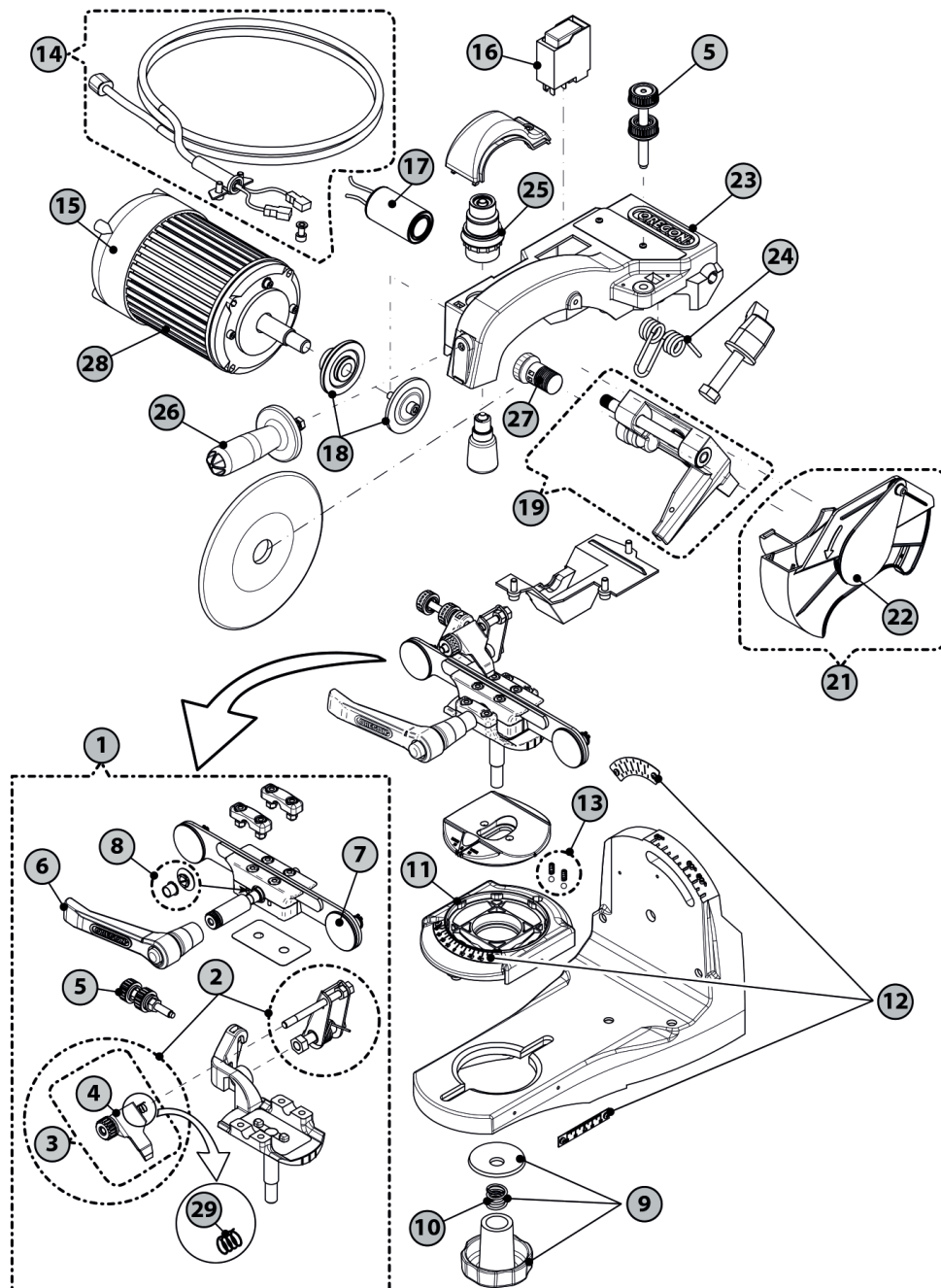
N°	DESCRIPTION	PN	QTY PER BAG
1	COMPLETE VISE ASSEMBLY	572119	1
2	CHAIN HOLD KIT	537411	1
3	CHAIN STOP VISE ASSEMBLY	522688	1
4	CHAIN STOP (5 PK)	32677	1
5	PAWL CENTER SPRING KIT (5 PK)	32681	1
6	ADJUSTMENT KNOBS KIT	572522	1
7	LEVER VISE ASSEMBLY CHAIN LOCKING	572202	1
8	VISE JAWS	572203	1
9	VISE LOCKING KIT	572524	1
10	SPRING	35590	1
11	SCALES	572525	1
12	SPRING AND BALL KIT	32678	1

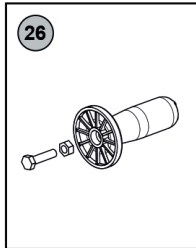
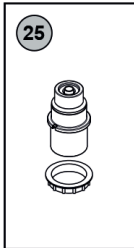
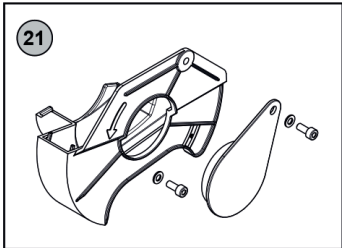
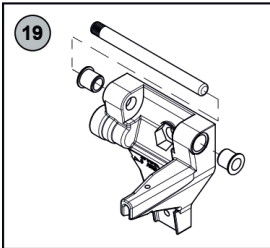
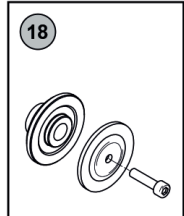
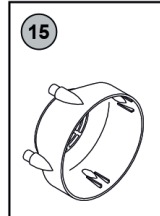
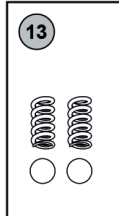
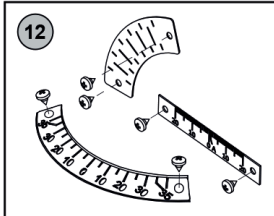
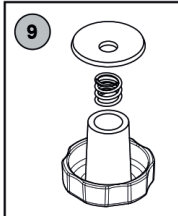
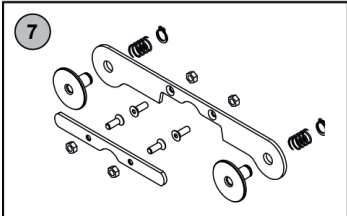
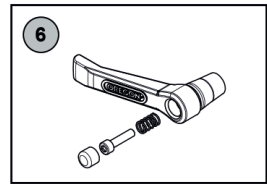
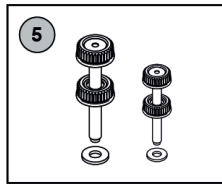
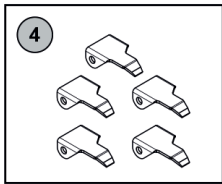
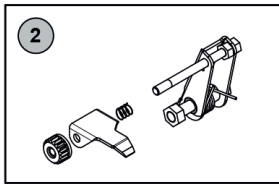
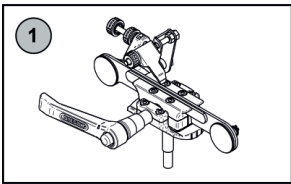
N°	DESCRIPTION	PN	QTY PER BAG
13	E-MOTOR, SWITCH, CABLES KIT	581321	1
	E-MOTOR, SWITCH, CABLES KIT A	???	1
	E-MOTOR, SWITCH, CABLES KIT S	???	1
14	END MOTOR CAP	572526	1
15	SWITCH 230V (NEW TYPE)	295387A	1
16	SPRING ARM RETURN	572527	1
17	BRACKET ARM SUPPORT	572529	1
18	HANDLE KIT	105538	1
19	MOTOR FLANGE KIT	537409	1
20	METAL SHIELD	572528	1
21	LED LIGHT AND COVER	582332	1



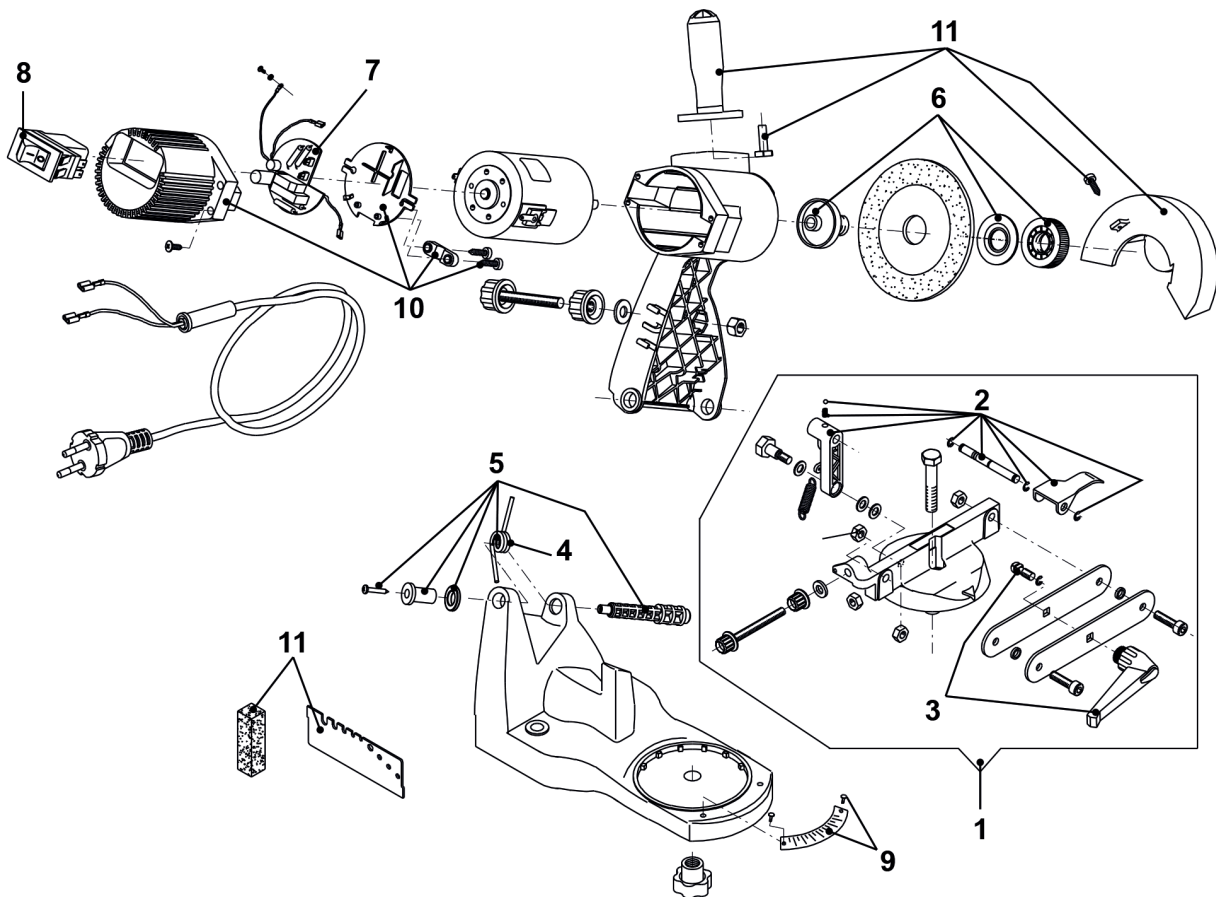
N°	DESCRIPTION	PN
1	COMPLETE VISE ASSEMBLY	526265
2	CHAIN HOLD KIT 511AX	537411
3	CHAIN STOP, 511AX VISE ASSY	522688
4	CHAIN STOP (5 PK)	32677
5	ADJUSTMENT KNOBS, KIT	537412
6	LEVIER, 511AX VISE ASSY CHAIN LOCKING	522689
7	VISE JAWS, 511AX VISE ASSY	526267
8	VISE BUSHING, 511AX VISE ASSY	522691
9	VISE LOCKING KIT	537413
10	SPRING	35590
11	SLIDING SUPPORT 511AX	522685
12	511AX SCALES KIT	537410
13	SPRING AND BALL KIT	32678
14	CABLE KIT COMPLETE WITH PLUG	295389A

N°	DESCRIPTION	PN
15	END MOTOR CAP	37947
16	SWITCH 230V	295387A
17	CAPACITOR 230V	295386A
18	MOTOR FLANGE KIT (OUTER AND INNER)	537409
19	BRACKET, 511AX ARM SUPPORT	522649
21	SHIELD WHEEL PROTECTOR	522692
22	SHIELD KIT	105654
23	ARM, 511AX COMPLETE	522650
24	SPRING, 511AX ARM RETURN	522651
25	LIGHT SOCKET E14 W/WIRES - 230V	108505
26	HANDLE KIT	105538
27	SAFETY PIN, 511AX	522670
28	E-MOTOR 230V	295388A
29	PAWL CENTER SPRING KIT (5 PK)	32681



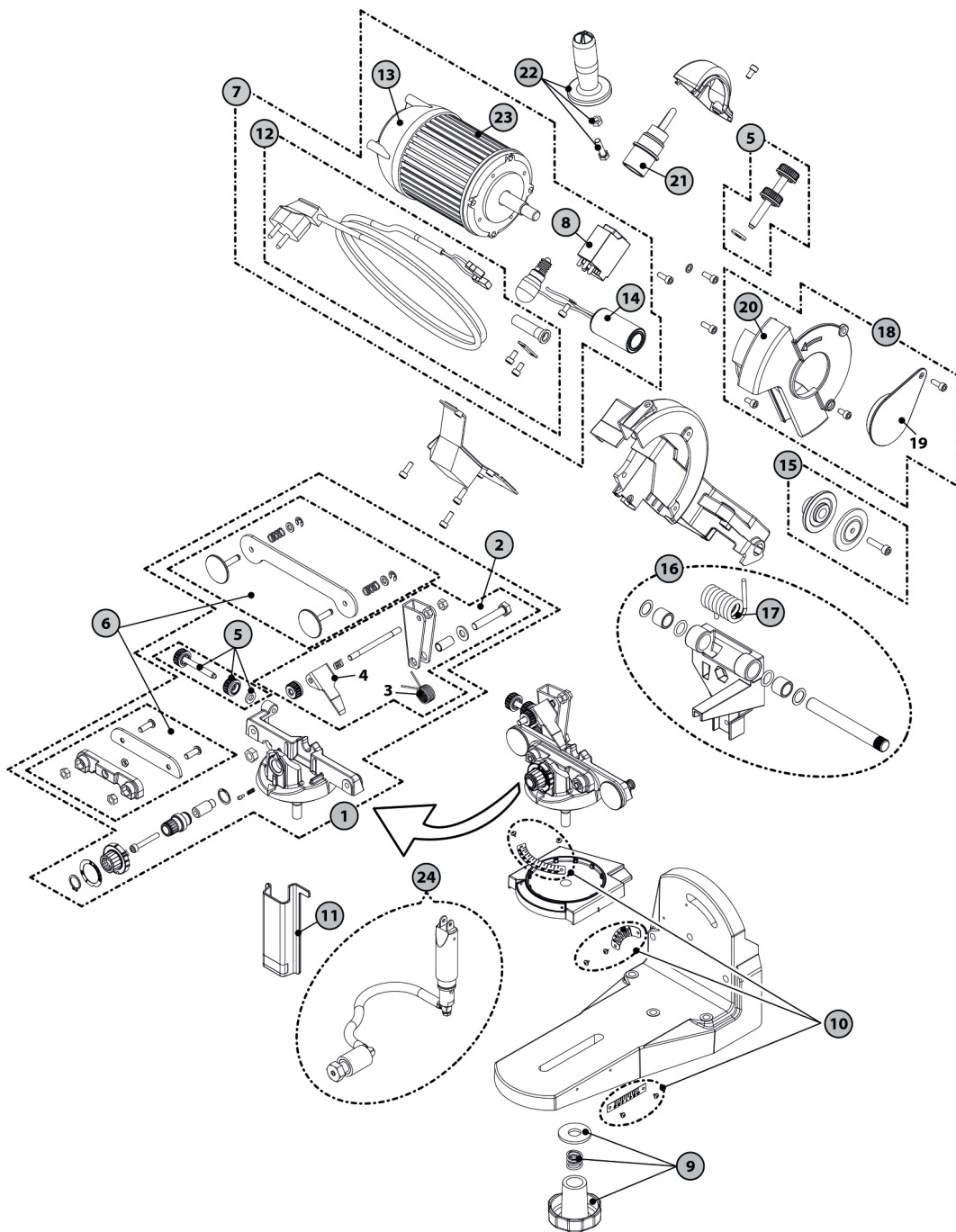


N°	DESCRIPTION	PN	QTY PER BAG
1	COMPLETE VISE	108476	1
2	CHAIN STOP RETROFIT KIT	110579	1
3	VISE POSITION/TENSION ADJUSTMENT KNOB	109171	1
4	RETURN SPRING, GRIND LEVER	109175	1
5	SPRING ARM RETURN SET	537888	1
6	ALUMINIUM ARBOR RETROFIT KIT	111941	1
7	120V/230V ELECTRIC CARDBOARD	519971	1
8	230V SWITCH	295387A	1
9	VISE SCREWS AND PLATE KIT	108468	1
10	COVER AND HOLDING PLATE KIT	111014	1
11	EQUIPMENT KIT	554650	1

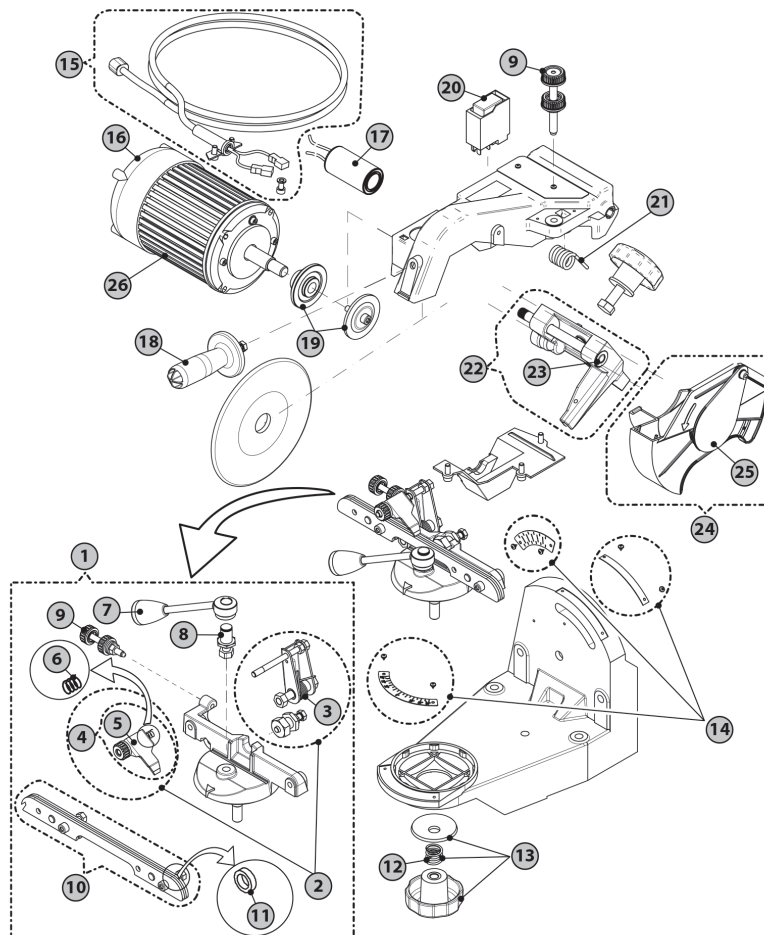
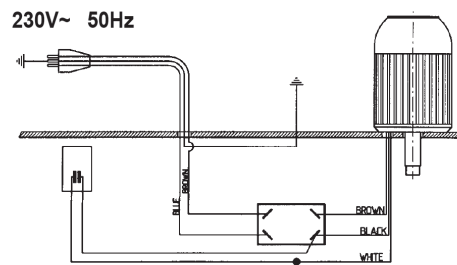


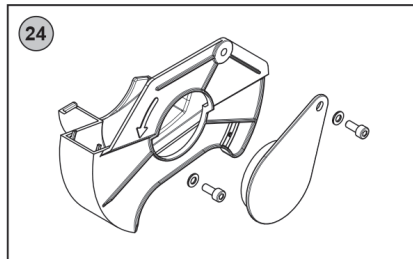
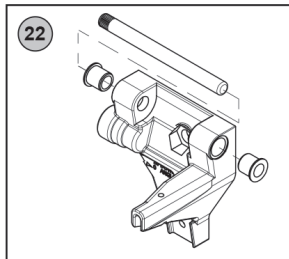
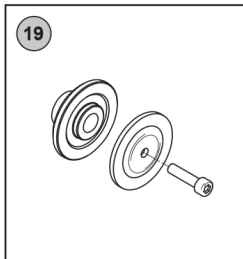
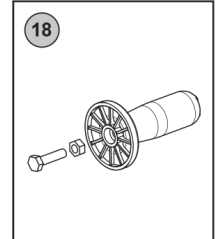
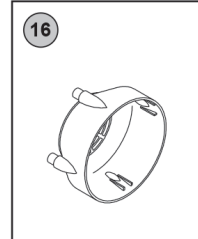
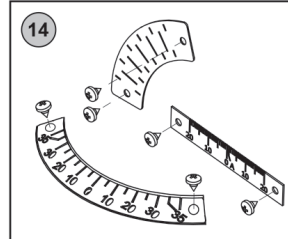
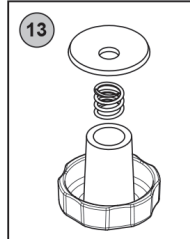
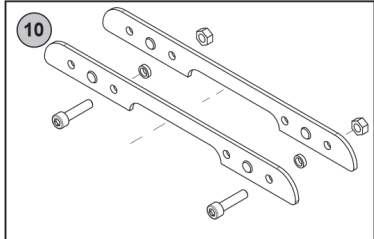
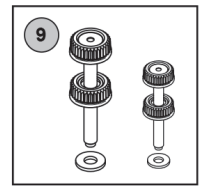
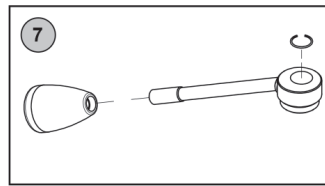
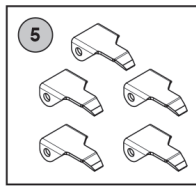
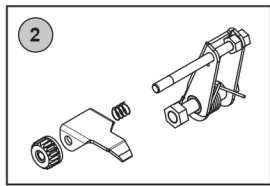
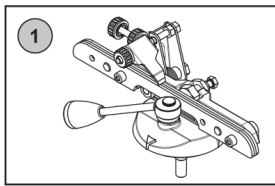
N°	DESCRIPTION	PN	QTY PER BAG
1	WISE SUPPORT	546949	1
2	WISE ADJUST. SPRING	546945	1
3	CHAIN STOP SPRING	35606	1
4	LONGER PAWL	546948	1
5	ADJUSTMENT KNOBS, KIT	537412	1
6	COMPLETE VISE KIT	546947	1
7	COMPLETE ELECTRICAL A.BLY 230V	546962	1
8	SWITCH 230V	295387A	1
9	WISE LOCKING KIT	537413	1
10	SCALES KIT	537410	1
11	CYLINDER PROTECTION	546952	1
12	CABLE KIT COMPLETE WITH PLUG - 230V	295389A	1
12	CABLE KIT COMPLETE WITH PLUG - 230V - AUS	111035	1

N°	DESCRIPTION	PN	QTY PER BAG
13	END MOTOR CAP	37947	1
14	CAPACITOR 230V	295386A	1
15	MOTOR FLANGE KIT (OUTER AND INNER)	537409	1
16	ARM SUPPORT ASSEMBLY	546951	1
17	HEAD RETURN SPRING	546946	1
18	SHIELD WHEEL PROTECTOR	554651	1
19	SHIELD KIT	105654	1
20	METAL SHIELD	109248	1
21	LIGHT SOCKET E14 W/WIRES - 230V	108505	1
22	HANDLE KIT	105538	1
23	E-MOTOR 230V	295388A	1
24	COMPLETE HYDRAULIC A.BLY	546950	1

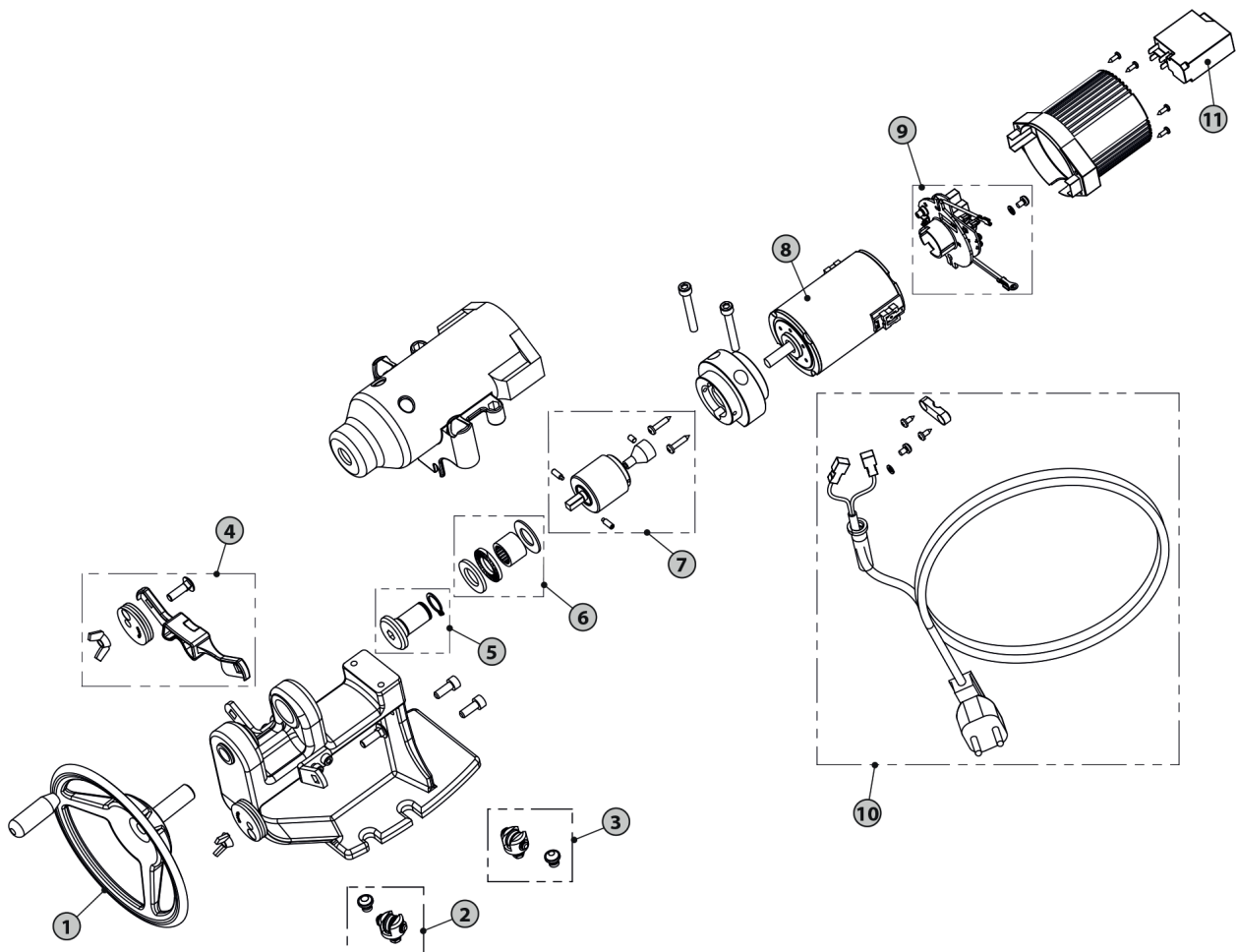


N°	DESCRIPTION	PN	QTY PER BAG	N°	DESCRIPTION	PN	QTY PER BAG
1	WISE ASSEMBLY	534477	1	14	511AX SCALES KIT	537410	1
2	CHAIN HOLD KIT 511AX	537411	1	15	CABLE KIT COMPLETE WITH PLUG	12W1018	1
3	CHAIN STOP SPRING	35606	1	16	END MOTOR CAP	37947	1
4	CHAIN STOP, 511AX VISE ASSY	522688	1	17	CAPACITOR 230V	295386A	1
5	CHAIN STOP (5-PK)	32677	5	18	HANDLE KIT	105538	1
6	PAWL CENTER SPRING KIT (5-PK)	32681	5	19	MOTOR FLANGE KIT (OUTER AND INNER)	537409	1
7	WISE HANDLE	534550	1	21	SWITCH 230V	295387A	1
8	CAM POST	37951	1	22	SPRING	35589	1
9	ADJUSTMENT KNOBS, KIT	537412	1	23	BRACKET, 511AX ARM SUPPORT	522649	1
10	WISE JAWS	534549	1	24	SHIELD WHEEL PROTECTOR	522692	1
11	CHAIN VISE SPACERS	35610	1	25	SHIELD KIT	105654	
12	SPRING	35590	1	26	E-MOTOR 230V	295388A	1
13	WISE LOCKING KIT	537413	1				





N°	DESCRIPTION	PN	QTY PER BAG
1	HANDLE WHEEL	545727	1
2	KIT SPINNROLL INSERT (1/4" - .325")	545725	1
3	KIT SPINNROLL INSERT (3/8" - .404")	545724	1
4	CHAIN GUIDE UNIT	545726	1
5	BUSH KIT	545722	1
6	BEARING KIT	545723	1
7	PLANETARY GEAR KIT	545721	1
8	E-MOTOR 230V	545607	1
9	120V/230V ELECTRIC CARDBOARD	545606	1
10	E-CABLE KIT 230V	545719	1
11	230V SWITCH	295387A	1



N°	DESCRIPTION	PN	QTY PER BAG
1	HARNES	566092	1
2	VISOR	566093	1
3	HYGIENE KIT (PAIR)	518774	1
4	HOLDER BRACKET, W/CONNECTORS	523600	1
5	NECK CAPE	562665	1



①



②



③



④



⑤



N°	DESCRIPTION	PN	QTY PER BAG
1	SUSPENSION KIT	564570	1
2	EARMUFF REPLACEMENT	564649	1
3	CHIN PROTECTOR	605575	1
4	REPLACEMENT VISOR	564579	1
5	SWEATBAND	564580	1



①



②



③

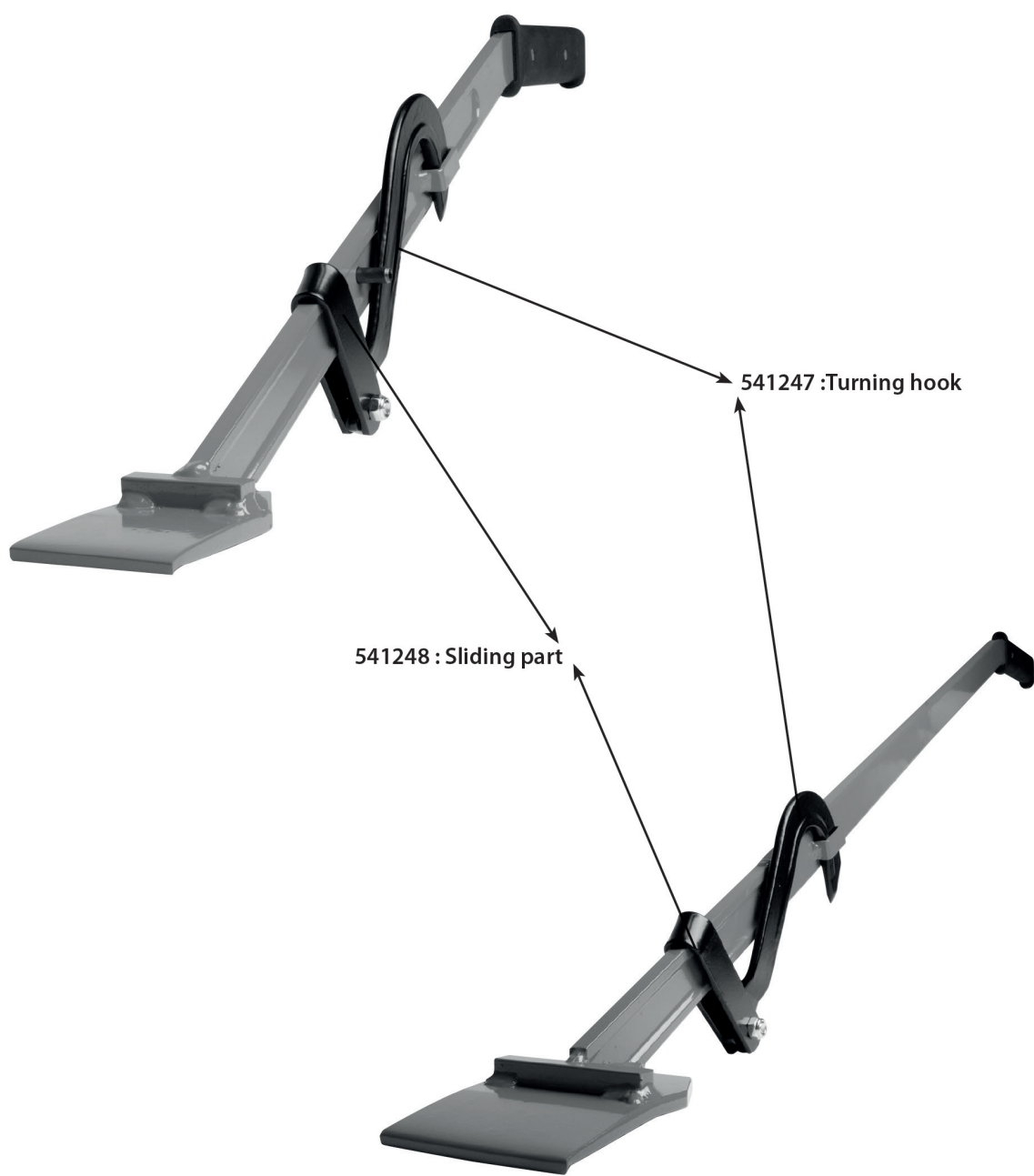


④



⑤







BLOUNT EUROPE SA
Rue Emile Francqui, 5
B 1435 Mont-Saint-Guibert, Belgium
T. + 32 10 30 11 11 F. +32 10 30 11 99

OregonProducts.com